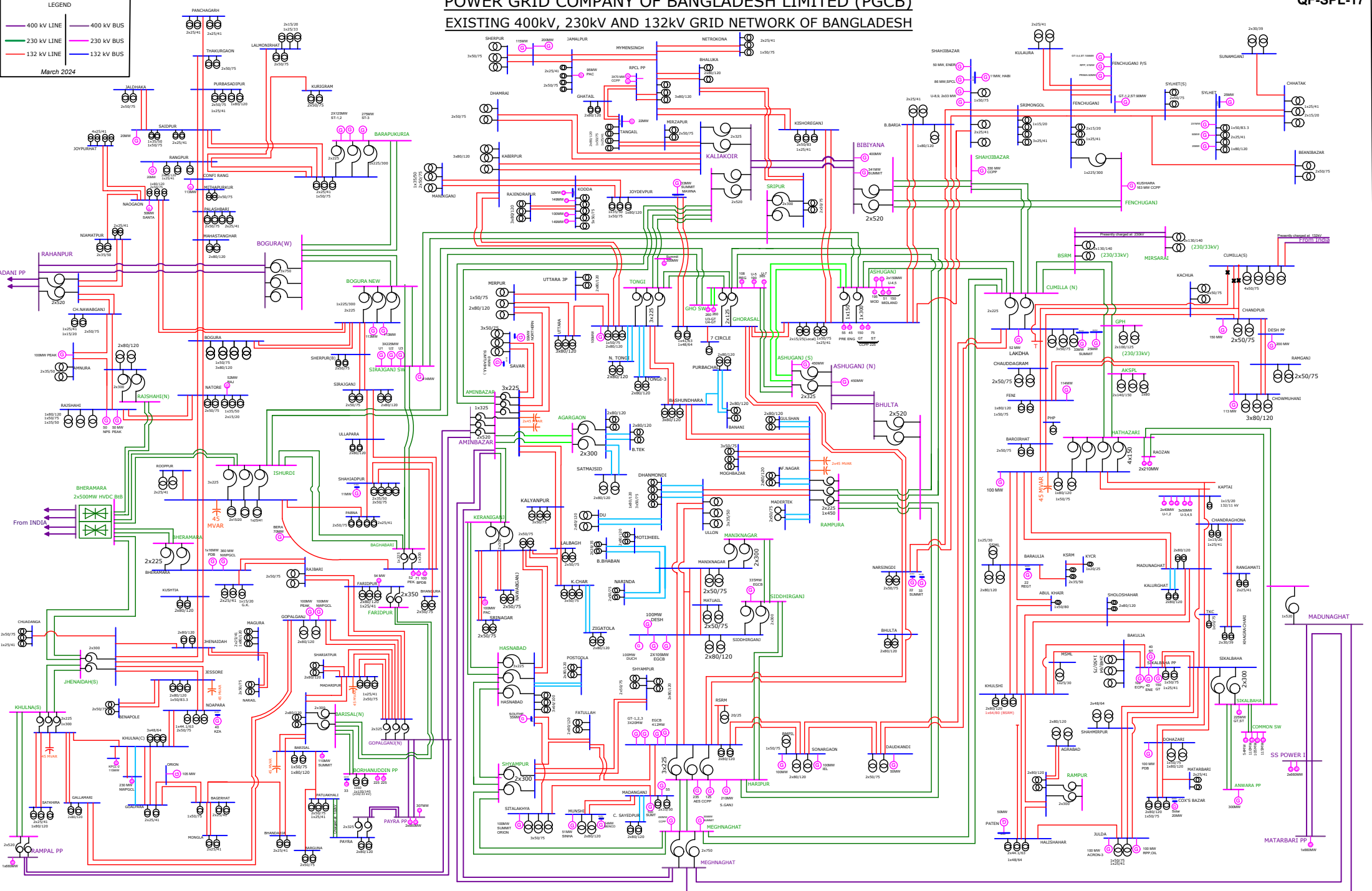


# POWER GRID COMPANY OF BANGLADESH LIMITED (PGCB) EXISTING 400kV, 230kV AND 132kV GRID NETWORK OF BANGLADESH

**LEGEND**

- 400 kV LINE
- 230 kV LINE
- 132 kV LINE
- 400 kV BUS
- 230 kV BUS
- 132 kV BUS

March 2024



All Transformer Capacity in MVA